

EXCAVATOR



SY60C

Yanmar Engine

STANDARD FEATURES

- ➔ Swing boom functionality
- ➔ Conventional tail swing
- ➔ 1-way and 2-way primary auxiliary circuit
- ➔ Quick coupler plumbing
- ➔ Powerful Yanmar Engine

41.1 kW

Net Power

3,961 mm

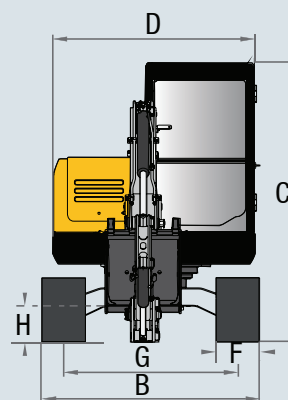
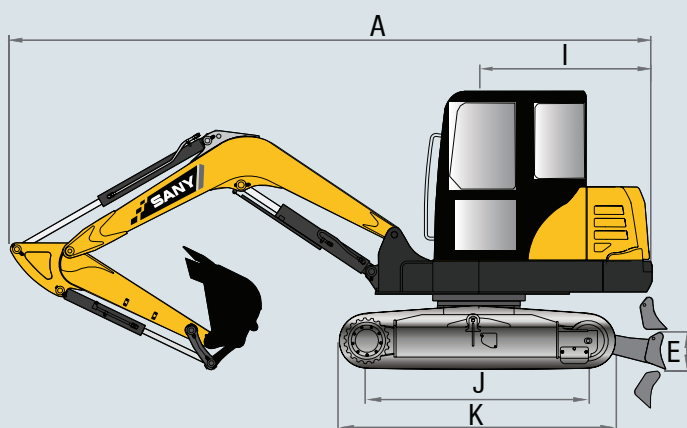
Dig Depth

6,100 kg

Operating Weight

45.0 kN

Bucket Breakout



TECHNICAL SPECIFICATIONS

Operating Weight	6000 kg
Ground Pressure	34.6 kPa
Engine	Yanmar 4TNV98C-WSY
Displacement	3.32 L
Gross Power	42.4 kW
Net Power	41.1 kW
Hydraulics	Load Sensing with Pilot Control
Main Hydraulic Pump	Axial Piston – Variable Displacement
Operating Flow (maximum)	381 L/min
Operating Pressure (maximum)	24.5 MPa
Auxiliary Flow (maximum)*	90 L/min
Auxiliary Pressure (maximum)	25 MPa
Travel Motor	Axial Piston with Park Brake
Travel Pressure (maximum)	24.5 MPa
Travel Speeds (maximum)	2.4 / 3.7 km/hr
Travel Effort (maximum)	47.2 kN
Grade Capability (maximum)	35°
Swing Motor	Axial Piston with Swing Brake
Swing Pressure (maximum)	19.1 MPa
Swing Speed (maximum)	9.6 RPM
Undercarriage (standard)	Belted Rubber Track
Track Shoe Width (standard)	400 mm
Track Rollers (per side)	5
Carrier Rollers (per side)	1

DIMENSIONS

DIMENSIONS

Boom Length	3000 mm
Stick Length	1700 mm
A Transport Length	6015 mm
B Transport Width	2005 mm
C Transport Height	2645 mm
D Upper Structure Width	1860 mm
E Blade Height	340 mm
F Track Width (standard shoe)	400 mm
G Track Gauge	1600 mm
H Ground Clearance (minimum)	330 mm
I Tail Swing Radius	1640 mm
J Track Length on Ground	2045 mm
K Track Length	2545 mm

SERVICE REFILL CAPACITIES

Fuel Tank Capacity	130.0 L
Hydraulic Tank Capacity	85.0 L
Engine Oil Capacity	9.6 L
Cooling System Capacity	5.6 L

Based on theoretical calculation at max flow with no load. Subject to alterations. In the interest of continual equipment development, SANY UK Inc. reserves the right to change these specifications at any time without prior notification.



STANDARD AND OPTIONAL EQUIPMENT

s = standard / o = optional

SY60C	ENGINE
s	Yanmar 4TNV98C
s	EU Stage V compliant
s	Auto-idle
s	Dual-element dry air filter
s	Engine air precleaner
s	Coolant Expansion tank
s	Electronic engine control
s	Fan guard
s	Engine coolant to -37 deg. C
s	Full-flow oil filter
s	High flow cooling fan
s	500-hour engine-oil-change interval
s	No scheduled DPF maintenance for 6000 hours
s	Fuel filter and water separator
HYDRAULIC SYSTEM	
s	Spring-applied, hydraulically released automatic swing brake
s	Load sensing hydraulic system
s	Control pattern change valve
s	Primary auxiliary hydraulic circuit with 1 and 2-way combination piping
s	Auxiliary hydraulic-flow adjustments through monitor
s	Adjustable auxiliary pressure relief
s	Quick coupler ready
UNDERCARRIAGE	
s	Planetary drive with axial piston motors
s	Propel motor shields
s	Spring-applied, hydraulically released automatic propel brake
s	Track guides, front idler and 2 per side
s	2-speed travel
s	5 lower track rollers each side
s	1 upper carrier roller each side
s	Dozer blade with cylinder guarding
s	Tie downs on track frame and dozer blade
s	400mm (16") wide rubber tracks
s	Undercarriage frame opening guard
UPPERSTRUCTURE	
s	Right-hand, left-hand, and counterweight mirrors
s	Lockable cab, hood, and service doors
s	Debris screen in side panel
s	Remote-mounted engine oil and fuel filters
s	Daily fluid level inspection visible from ground
s	Rear reflectors
ATTACHMENTS	
s	Convenient grease points
s	Centralized lubrication system
s	Dirt seals on all bucket pins

In the interest of continual equipment development, SSSY UK Inc. reserves the right to change these specifications at any time without prior notification.



STANDARD AND OPTIONAL EQUIPMENT

s = standard / o = optional

SY60C	ATTACHMENTS
s	Oil-impregnated bushings
s	Reinforced thrust plates
s	Quick release couplers
OPERATOR'S STATION	
s	Hydraulic pilot controls
s	Proportional auxiliary switches on joystick
s	Travel levers with foot pedals
s	AM/FM radio with bluetooth and USB connection port
s	Cell phone tray
s	Weight adjustable suspension cloth seat with fore/aft adjustment and adjustable armrests
s	2" seat mounted lap belt
s	Emergency stop switch
s	Sliding front window
s	Removable lower front window
s	Window breaker
s	ECO mode switch
s	8 tool selection modes
s	Fully adjustable auxiliary flow circuits and pressure from display
s	Multifunction color LCD monitor with: Diagnostic capability / Multiple-language
s	System monitoring features: Auto-idle indicator, 2-speed indicator, work-mode indicator, preheat icon, time and date, battery charge icon, throttle position, engine oil pressure alarm, DPF regeneration inhibit indicator, fuel level gauge, maintenance needed icon, failure code, standard/eco work mode icon, engine coolant temperature, coolant temp alarm, severe failure alarm, work tool mode icon, operating hours
s	High performance heating, ventilation, and air conditioning system
s	Operation and maintenance manual storage
s	Heavy duty removeable rubber floor mat
s	Front windshield wiper with high and low speed
s	Horn, electric
s	Hour meter, electric
s	Hydraulic shutoff lever, all controls
s	Interior light
s	Cup holder
s	Travel alarm with cancel switch
s	Transparent overhead hatch with retractable sun shade
ELECTRICAL	
s	12V electrical system
s	Maintenance free battery
s	Ground level battery disconnect
s	Easy access fuse panel
s	Terminal battery covers
s	80-amp alternator
s	12V power outlet
LIGHTS	
s	Work lights: 2 mounted on top of cab, 1 mounted on boom, magnetic beacon

**INDUSTRY'S
STRONGEST
STANDARD
WARRANTY**

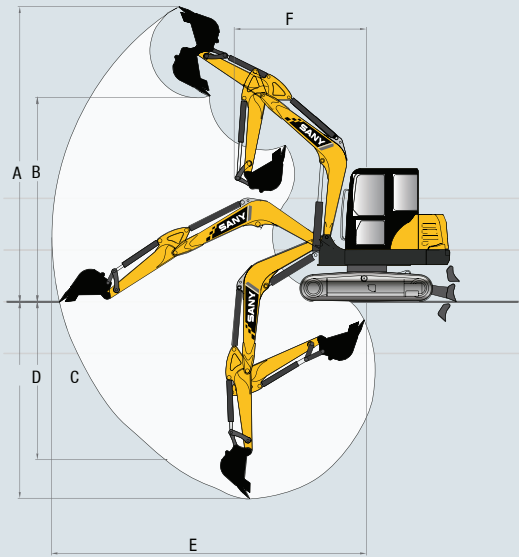
**5-YEARS*
3,000 HOURS**

*Warranty applies to 2023 Excavator and Wheel Loader models only



PRODUCT SPECIFICATIONS EXCAVATOR || SY60C

WORKING RANGE



WORKING RANGE

Boom Length	3000 mm
Stick Length	1700 mm
A Maximum Digging Height	5790 mm
B Maximum Dumping Height	4060 mm
C Maximum Digging Depth	3950 mm
D Maximum Vertical Wall Digging Depth	3180 mm
E Maximum Reach at Ground Level	6320 mm
F Minimum Swing Radius	2555 mm

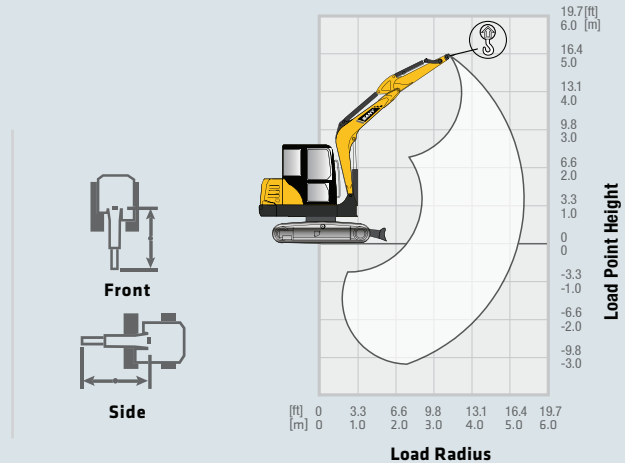
DIGGING PERFORMANCE

Boom Length	3000 mm
Dipper Length	1700 mm
Bucket Breakout Force (ISO)	45.0 kN
Dipper Tearout Force (ISO)	33.0 kN

Standard 3000 mm Boom
Standard 1700 mm Dipper
Standard 400 mm Track Tracks
No Bucket

Ratings are based on ISO 10567:200 7. Lift capacity does not exceed 75% of tipping load with the machine on firm, level ground or 87% of hydraulic lifting capacity.

LIFTING PERFORMANCE



BLADE DOWN	LOAD RADIUS	6.6 ft 2.0 m		9.8 ft 3.0 m		13.1 ft 4.0 m		16.4 ft 5.0 m		MAX REACH	
	LOAD POINT HEIGHT										
13.1 ft 4.0 m						2205 lb 1000 kg*	2205 lb 1000 kg			2425 lb* 1100 kg*	1874 lb 850 kg
9.8 ft 3.0 m						2535 lb* 1150 kg*	2205 lb 1000 kg	2425 lb* 1100 kg*	1433 lb 650 kg	2535 lb* 1150 kg*	1433 lb 650 kg
6.6 ft 2.0 m				3968 lb* 1800 kg*	3086 lb 1400 kg	2976 lb* 1350 kg*	2094 lb 950 kg	2646 lb* 1200 kg*	1433 lb 650 kg	2646 lb* 1200 kg*	1323 lb 600 kg
3.3 ft 1.0 m				5401 lb* 2450 kg*	2756 lb 1250 kg	3638 lb* 1650 kg*	1874 lb 850 kg	2976 lb* 1350 kg*	1433 lb 650 kg	2756 lb* 1250 kg*	1213 lb 550 kg
0 ft 0 m				6173 lb* 2800 kg*	2646 lb 1200 kg	4079 lb* 1850 kg*	1764 lb 800 kg	3086 lb* 1400 kg*	1323 lb 600 kg	2976 lb* 1350 kg*	1323 lb 600 kg
-3.3 ft -1.0 m	8378 lb* 3800 kg*	5291 lb 2400 kg	6063 lb* 2750 kg*	2646 lb 1200 kg	4079 lb* 1850 kg*	1764 lb 800 kg				3197 lb* 1450 kg*	1433 lb 650 kg
-6.6 ft -2.0 m	8818 lb* 4000 kg*	5181 lb 2350 kg	5401 lb* 2450 kg*	2646 lb 1200 kg	3417 lb* 1550 kg*	1874 lb 850 kg				3417 lb* 1550 kg*	1874 lb 850 kg
BLADE UP											
13.1 ft 4.0 m						2205 lb* 1000 kg*	2205 lb 1000 kg			2205 lb* 1000 kg*	1874 lb 850 kg
9.8 ft 3.0 m						2205 lb* 1000 kg*	2205 lb 1000 kg	1984 lb* 900 kg*	1433 lb 650 kg	1984 lb* 900 kg*	1433 lb 650 kg
6.6 ft 2.0 m			3968 lb* 1800 kg*	3086 lb 1400 kg	2866 lb* 1300 kg*	2094 lb 950 kg	1984 lb* 900 kg*	1433 lb 650 kg	1764 lb* 800 kg*	1764 lb* 800 kg*	1323 lb 600 kg
3.3 ft 1.0 m			3968 lb* 1800 kg*	2756 lb 1250 kg	2646 lb* 1200 kg*	1874 lb 850 kg	1948 lb* 900 kg*	1433 lb 650 kg	1764 lb* 800 kg*	1764 lb* 800 kg*	1213 lb 550 kg
0 ft 0 m			3858 lb* 1750 kg*	2646 lb 1200 kg	2535 lb* 1150 kg*	1764 lb 800 kg	1874 lb* 850 kg*	1323 lb 600 kg	1764 lb* 800 kg*	1764 lb* 800 kg*	1323 lb 600 kg
-3.3 ft -1.0 m	7937 lb* 3600 kg*	5291 lb 2400 kg	3858 lb* 1750 kg*	2646 lb 1200 kg	2535 lb* 1150 kg*	1764 lb 800 kg				1984 lb* 900 kg*	1433 lb 650 kg
-6.6 ft -2.0 m	8157 lb* 3700 kg*	5181 lb 2350 kg	3968 lb* 1800 kg*	2646 lb 1200 kg	2646 lb* 1200 kg*	1874 lb 850 kg				2646 lb* 1200 kg*	1874 lb 850 kg

* Indicates load limited by hydraulic lifting capacity.

In the interest of continual equipment development, SANY UK Inc. reserves the right to change these specifications at any time without prior notification.

SANY HEAVY MACHINERY (UK) LTD
info@sanyuk.com
www.sanyuk.com

